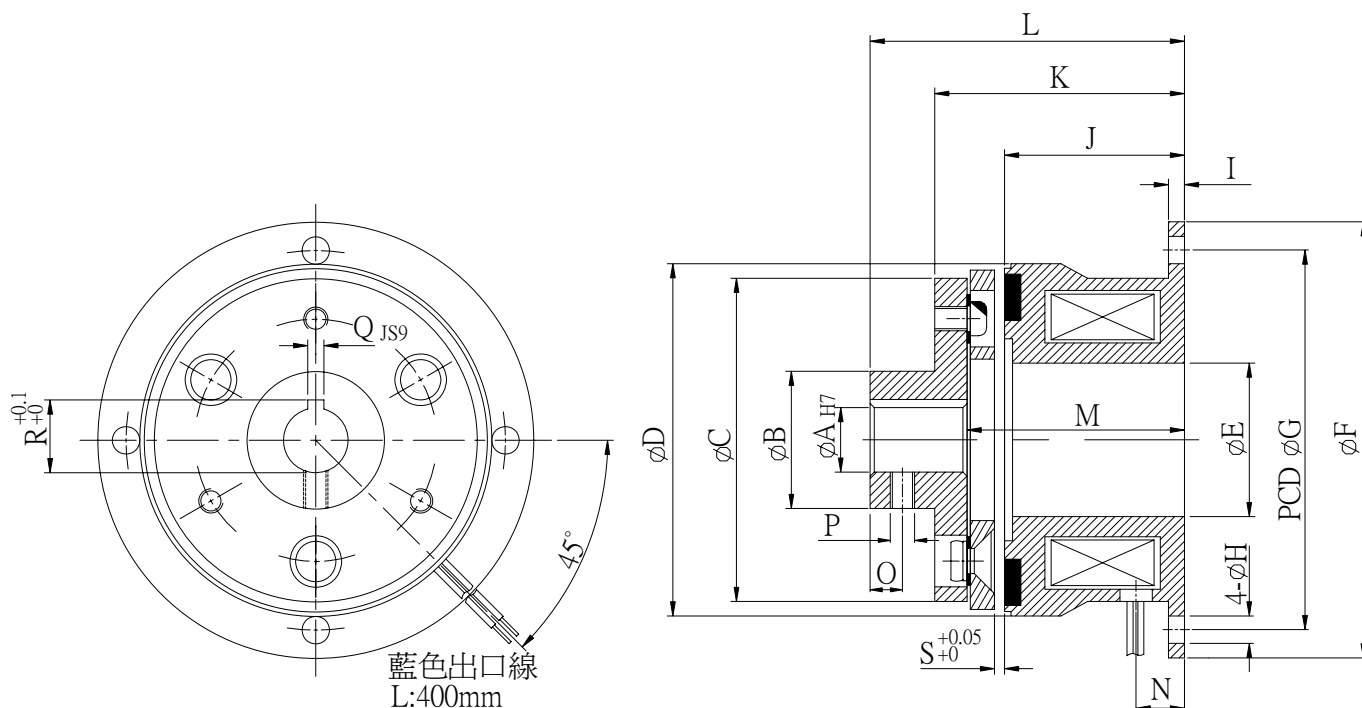


MG1 Series

微小型电磁煞车器 Micro Magnetic Brake 附导座 with plating hub



| 型號 MODEL | | MG1S06AA | MG1S09AA | MG10S2AA | MG10S4AA |
|---------------------|---|----------|----------|----------|----------|
| 靜摩擦轉距 (Nm) | | 0.6 | 0.9 | 2.2 | 4.5 |
| 功率 [24V](W) at 20°C | | 6.2 | 6 | 8 | 10 |
| 徑向尺寸 | A | 6 | 6 | 8 | 10 |
| | B | 13 | 15 | 17 | 24 |
| | C | 28 | 32 | 40 | 50 |
| | D | 31 | 34 | 43.6 | 54.5 |
| | E | 11 | 13 | 19 | 26 |
| | F | 39 | 45 | 54 | 65 |
| | G | 33.5 | 38 | 47 | 58 |
| | H | 3.4 | 3.4 | 3.4 | 3.4 |
| 軸向尺寸 | I | 1.5 | 2 | 2 | 2 |
| | J | 16 | 18.9 | 22.3 | 23.5 |
| | K | 21.3 | 23.4 | 29.8 | 29.7 |
| | L | 26.3 | 31.4 | 37.8 | 38.7 |
| | M | 18.3 | 21.4 | 25.8 | 26.7 |
| | N | 4 | 5 | 6 | 6 |
| | O | 2.5 | 4 | 4 | 5 |
| | P | M3*P0.5 | M3*P0.5 | M3*P0.5 | M3*P0.5 |
| | Q | 2 | 2 | 2 | 3 |
| | R | 7 | 7 | 9 | 11.4 |
| | S | 0.1 | 0.1 | 0.15 | 0.2 |