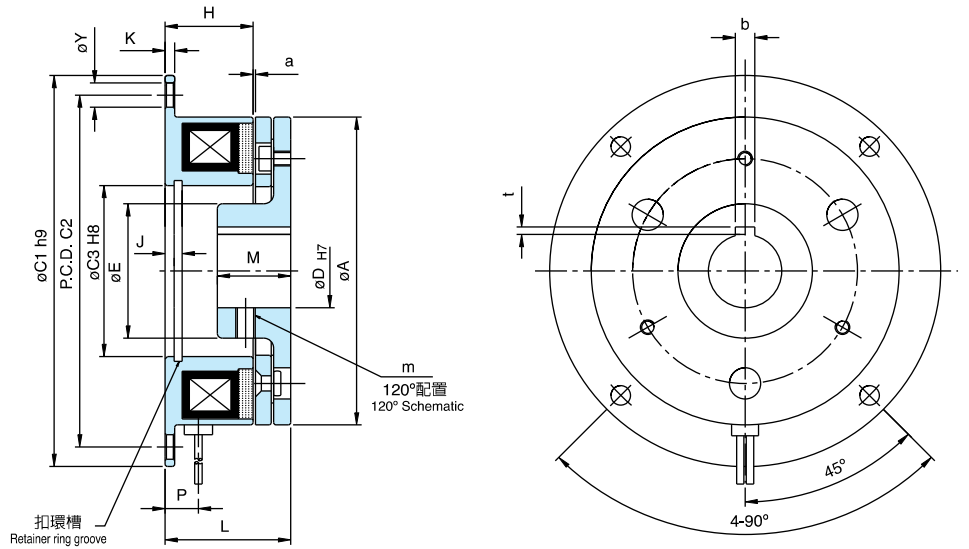


干式单片电磁刹车器CG 1

广州电磁离合器厂 (13710967244余先生QQ: 114776133) 是台湾仟岱离合刹车器中国大陆唯一总代理, 产品有电磁离合器, 磁粉离合器, 电磁刹车器, 磁粉刹车器, 电磁制动器, 磁粉制动器, 安全刹车器, 断电刹车器等产品。网址www.chaintail.com.cn



| 型號 MODEL | | CG10S6AA | CG11S5AA | CG12S5AA | CG1005AA | CG1010AA | CG1020AA | CG1040AA | | | |
|----------------------------------|------------------|-------------|-----------|-----------|-----------|--|-----------|----------|--|--|--|
| 靜摩擦轉距 Static Friction Torque | [kgm](Nm) | 0.55(5.5) | 1.1 (11) | 2.2 (22) | 4.5(45) | 9(90) | 17.5(175) | 35(350) | | | |
| 動摩擦轉距 Dynamic Friction Torque | [kgm](Nm) | 0.5 (5.0) | 1.0 (10) | 2.0 (20) | 4.0(40) | 8(80) | 16(160) | 32(320) | | | |
| 功率 Power | [24V](W) at 20°C | 11 | 15 | 20 | 25 | 35 | 45 | 60 | | | |
| 徑 方 向 Radius | A | 63 | 80 | 100 | 125 | 160 | 200 | 250 | | | |
| | C1 | 80 | 100 | 125 | 150 | 190 | 230 | 290 | | | |
| | C2 | 72 | 90 | 112 | 137 | 175 | 215 | 270 | | | |
| | C3 | 35 | 42 | 52 | 62 | 80 | 100 | 125 | | | |
| | D | 12 15 | 15 20 | 20 25 | 25 30 | 30 40 | 40 50 | 50 60 | | | |
| | E | 27.5 | 31 | 41 | 49 | 65 | 83 | 105 | | | |
| 軸 方 向 Shaft | H | 18 | 20 | 22 | 24 | 26 | 30 | 35.1 | | | |
| | J | 3.5 | 4.3 | 5 | 5.5 | 6 | 7 | 8 | | | |
| | K | 2 | 2.5 | 3 | 3.5 | 4 | 5 | 6 | | | |
| | L | 25.55 | 28.8 | 32.9 | 37.3 | 42.5 | 50.5 | 59.6 | | | |
| | M | 15 | 20 | 25 | 30 | 38 | 45 | 54 | | | |
| | P | 7.5 | 9.5 | 8.9 | 9 | 11.5 | 9.5 | 15.5 | | | |
| | Y | 5 | 6 | 7 | 7 | 9.5 | 9.5 | 11.5 | | | |
| | m | 2-M4 | 2-M5 | | 2-M6 | | 2-M8 | | 2-M10 | | |
| | a | 0.2 (±0.05) | | | | 0.3 (^{+0.05} / _{-0.1}) | | | 0.5 (⁰ / _{-0.2}) | | |
| | b | 4 5 | 5 5 | 5 7 | 7 7 | 7 10 | 10 12 | 12 15 | | | |
| | t | 1.8 2.3 | 2.3 2.3 | 2.3 3.3 | 3.3 3.3 | 3.3 3.8 | 3.8 3.8 | 3.8 5 | | | |
| 重量 Weight | (kg) | 0.32 | 0.58 | 1.07 | 1.97 | 3.45 | 7.1 | 12.2 | | | |
| 保護素子 Protective band | | 470KD07 | GD80KD10 | | GD80KD14 | | | | | | |